

# The Christmas Story

– Activity Pages – Older –

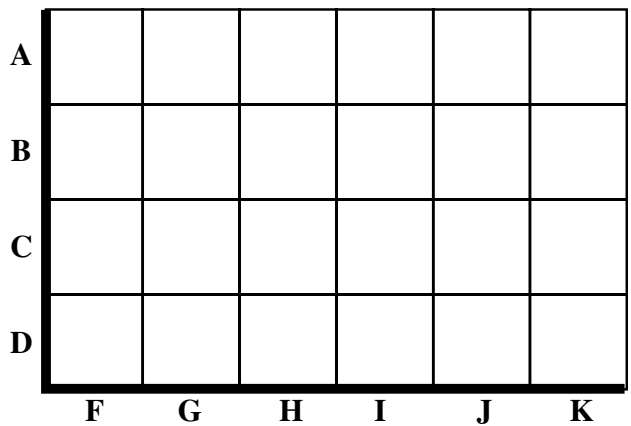
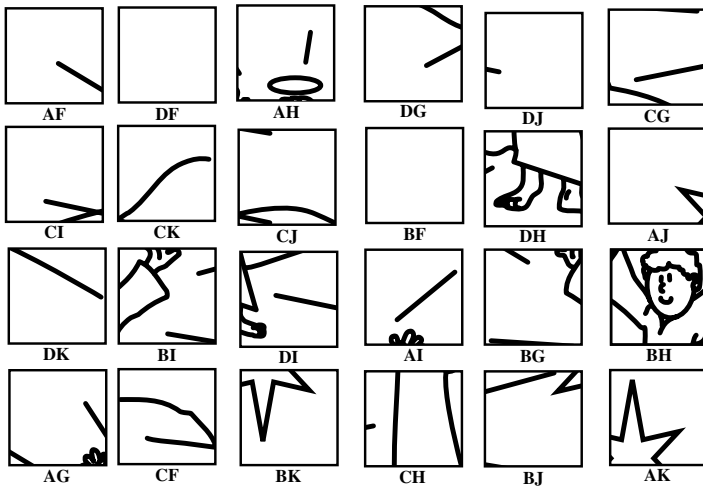


From your friends at *Children's Worship Bulletins*  
[www.ChildrensBulletins.com](http://www.ChildrensBulletins.com)

M

ary and Joseph had to travel from Nazareth to Bethlehem for the census ordered by Caesar Augustus. It was a long journey, and there were many people there. They found shelter in a stable. There Jesus was born. Mary wrapped the baby in cloths and placed him in a manger. There were shepherds watching their sheep in the hills. Suddenly something appeared to them.

Copy the drawing into the correct squares.



In the Scripture verses, there are words underlined. Find them in the puzzle. They are up and down, across or diagonal. There will be 17 letters that remain uncircled. Write them in order on the lines.

“Do not be afraid. I bring you good news of great joy that will be for all the people. Today in the town of David a Savior has been born to you; he is Christ the Lord.”

-Luke 2:10-11

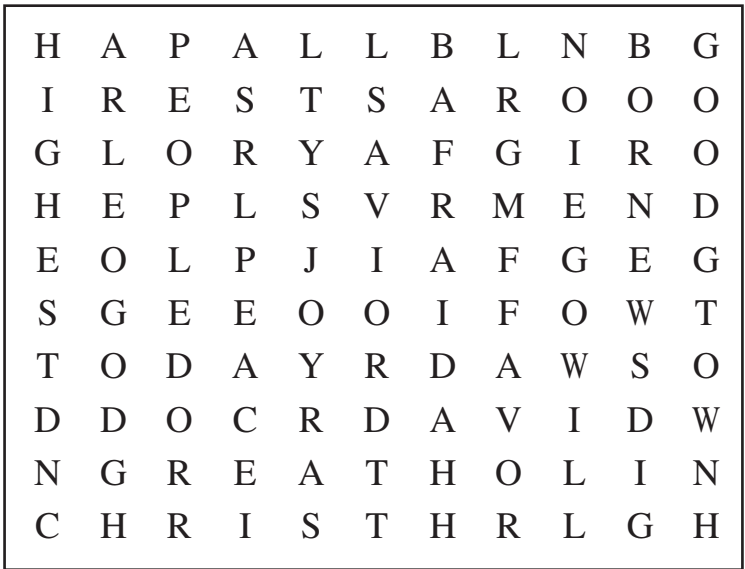
“Glory to God in the highest, and on earth peace to men on whom his favor rests.”

-Luke 2:14

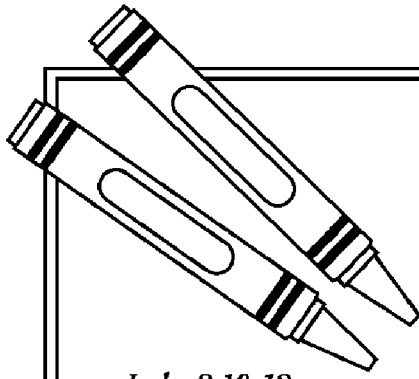
Who said these words to the shepherds?

\_\_\_\_\_

\_\_\_\_\_



Name \_\_\_\_\_



# Just for **KIDS**

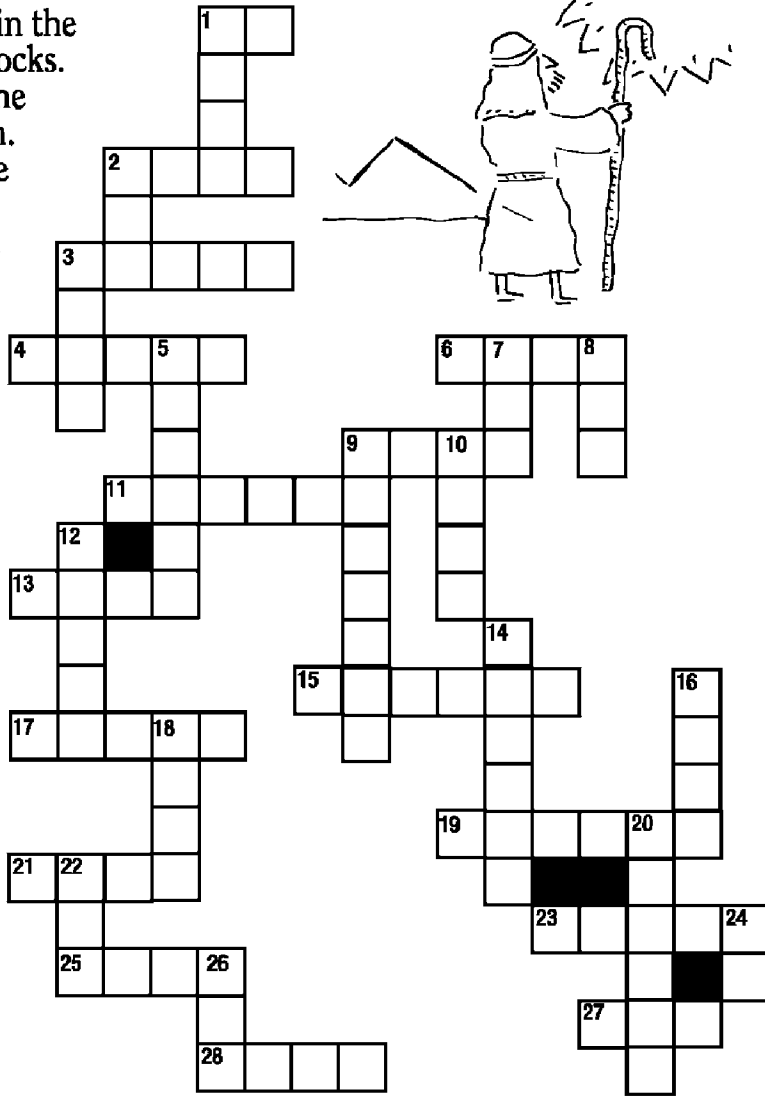
## The Angel Appeared

Luke 2:10-12

There were shepherds in the fields watching their flocks. Suddenly an angel of the Lord appeared to them. Find the words that the angel spoke. First fit the words from the list into the squares. Next, write the words on the correct lines.



- |      |         |
|------|---------|
| Do   | This    |
| be   | sign    |
| has  | find    |
| all  | baby    |
| for  | lying   |
| not  | bring   |
| you  | great   |
| joy  | Today   |
| town | David   |
| that | afraid  |
| good | people  |
| news | Savior  |
| will | Christ  |
| been | cloths  |
| born | manger  |
| Lord | wrapped |



“ \_\_\_\_\_ . I \_\_\_\_\_ of  
 \_\_\_\_\_ the \_\_\_\_\_  
 in the \_\_\_\_\_ of \_\_\_\_\_ a \_\_\_\_\_  
 \_\_\_\_\_ to \_\_\_\_\_ ; he is \_\_\_\_\_ the \_\_\_\_\_ .”

**K**ing Herod was upset at the thought of the “king of the Jews.” He planned to find the child and kill Him. He sent the Magi to find the child and report back to him.

Follow the spiral path of letters. Every other letter will reveal what happened. Write the letters on the lines.

“W \_\_\_\_\_

\_\_\_\_\_

\_\_\_\_\_

\_\_\_\_\_ ? \_\_\_\_\_

\_\_\_\_\_

\_\_\_\_\_

\_\_\_\_\_ .”

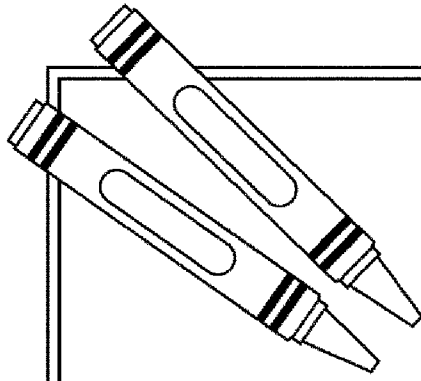


Add and subtract words and letters to fill in the blanks.

- hir + - c =
- agn + - oe + - car + - n + - og =
- pi + - w + - ove =
- ie + - hd + - g + - t + - ar =
- 1 + - sta + - chuc =
- c + - lov + =
- g + - ke + - eanus =

The 1) \_\_\_\_\_ led the Magi to the house where Joseph, Mary and Jesus were. They went inside and 2) \_\_\_\_\_ Him. They presented gifts of 3) \_\_\_\_\_, 4) \_\_\_\_\_ and 5) \_\_\_\_\_. God warned them in a dream not to return to Herod. So they went home another way. An 6) \_\_\_\_\_ appeared to Joseph in a dream and told him to take Mary and Jesus and escape to 7) \_\_\_\_\_.

Name \_\_\_\_\_



# Just for **KIDS**

## Christmas Riddles

Read the riddles below. Do you know the answers?

1. In a stable I was filled with hay  
And became a bed where a baby lay.

What am I? \_\_\_\_\_ (Luke 2:7)

2. Our voices loud were heard on high!  
The shepherds were frightened when we filled the sky!

Who are we? \_\_\_\_\_ (Luke 2:9-13)

3. I was shining in the Bethlehem sky that night.  
The three kings followed my light so bright!

What am I? \_\_\_\_\_ (Matthew 2:2)

4. We watched our sheep in the night so still;  
Then angels sang and woke up our hill!

Who are we? \_\_\_\_\_ (Luke 2:8)

5. I was at Mary's side for that special birth  
And raised the child as his "father on Earth."

Who am I? \_\_\_\_\_ (Luke 2:16)

6. "My heart in song to God I lift"  
said the young mother of God's special gift.

Who am I? \_\_\_\_\_ (Luke 2:19)

7. A baby boy, the Promised One!  
A gift from God, His beloved Son!

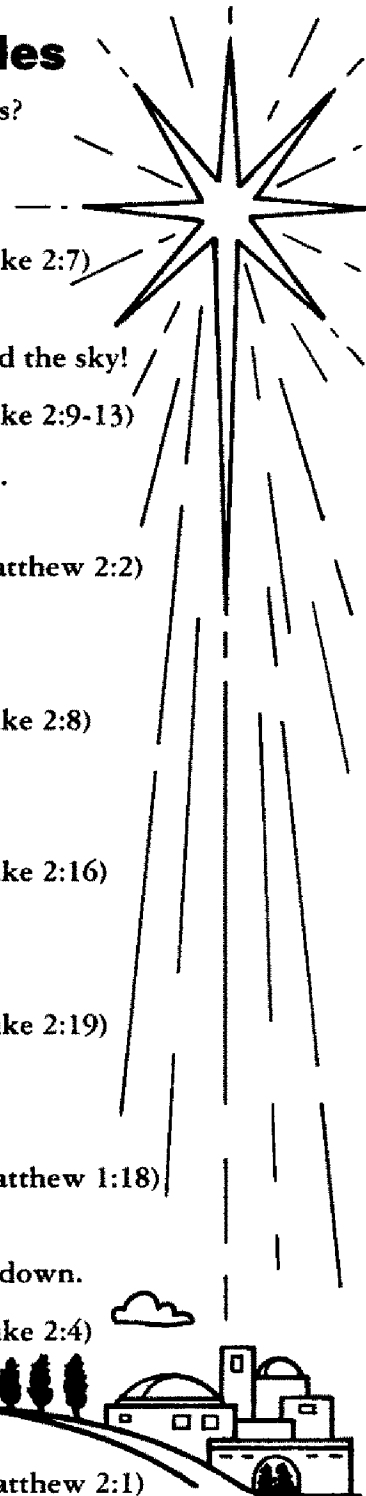
Who am I? \_\_\_\_\_ (Matthew 1:18)

8. The city of David, the little town,  
Where the Baby was born and the star shone down.

What am I? \_\_\_\_\_ (Luke 2:4)

9. From the East we traveled far.  
We found the child by the light of the star.

Who are we? \_\_\_\_\_ (Matthew 2:1)



**O**n the 40th day after Jesus was born, Mary and Joseph were required by the Law of Moses to go somewhere and do something.

Find where Mary and Joseph went. Answer each math problem. The spaces that have even-numbered answers make a path through the puzzle. Read the words on those spaces in order.



Start

They 2x2=___	water 3x3=___	key 6+7=___	river 12-7=___	to 10-2=___	present 8÷2=___	Jesus 2x3=___
went 4+2=___	Gift 2+3=___	an 12÷6=___	offering 8+8=___	and 10+4=___	traveled 7x7=___	to 6-2=___
to 6-4=___	out 14-7=___	make 5x2=___	Nazareth 5x1=___	boat 4+3=___	boy 9÷3=___	the 8+2=___
the 10÷5=___	mountains 9+2=___	to 5+5=___	fish 10÷2=___	at 12-5=___	lake 5x7=___	Lord. 15-5=___
Temple 2+2=___	in 5+3=___	Jerusalem 12-4=___	to 1x5=___	run 7x3=___	a 18-9=___	race 3+2=___

Two special people recognized Jesus even though He was just a baby. Who were they?

1	2	3	4	5	6	7	8	9	10	11	12	13	14	15	16	17	18	19	20	21	22	23	24	25	26
C	P	X	G	I	L	M	Z	A	K	V	B	W	F	N	T	U	Y	R	E	S	D	H	J	Q	O

Use the alphabet code to fill in the missing letters.

I was a 14 9 5 16 23 14 17 6 7 9 15. I believed in God's  
2 19 26 7 5 21 20 21. He said that I 13 26 17 6 22 not 22 5 20 until  
I had seen the 7 20 21 21 5 9 23. I was moved by the 23 26 6 18  
21 2 5 19 5 16 to go to the 16 20 7 2 6 20 that day. I lifted the  
12 9 12 18 and 2 19 9 5 21 20 22 God that my 20 18 20 21  
21 9 6 11 9 16 5 26 15! I am 21 5 7 20 26 15.



I was an elderly 2 19 26 2 23 20 16 20 21 21 who never left the  
16 20 7 2 6 20. I 13 26 19 21 23 5 2 20 22 night and day. I  
10 15 20 13 who this special 1 23 5 6 22 was and 2 19 9 5 21 20 22  
God. I spoke about 23 5 7 to all 13 23 26 waited for the  
7 20 21 21 5 9 23! I am 9 15 15 9.



Name \_\_\_\_\_