



What else is the Bible intended for?

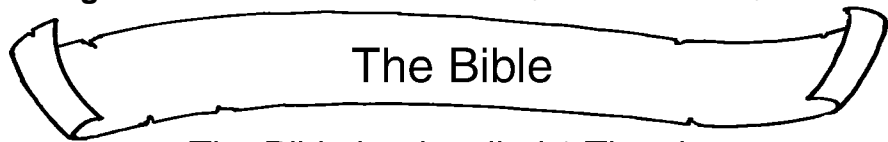
Change each letter to the one that comes next in the alphabet (Z goes to A).



“ R N S G Z S Z K K  
 ,  
 F N C R O D N O K D  
 L Z X A D  
 S G N Q N T F G K X  
 D P T H O O D C E N Q  
 D U D Q X F N N C  
 ”  
 V N Q J

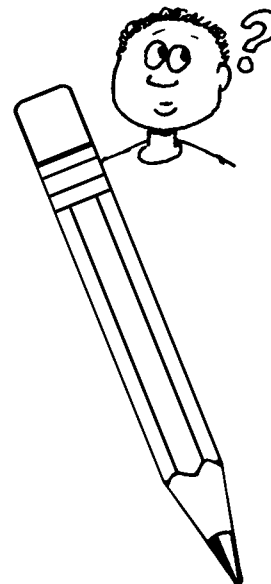
Ages 7+

May 5, 2024 • 2 Timothy 3:14-17



The Bible book called 2 Timothy is a letter full of instructions for Timothy.

Solve the Sudoku puzzle, by making sure each row, column and box contains the numbers 1-9. Then unscramble the letters that go with each number to find what Timothy was told to do.



1	LEA	F	6	E	3	5	7	UE
Y	3	4	A	5	2	6	9	V
6	8	5	7	9	TIN	1	2	3
2	4	6	I	7	1	8	O	RN
HA	1	Y	O	4	9	U	6	5
5	O	9	8	3	A	2	4	1
3	5	7	4	2	8	9	1	WH
9	2	S	3	6	N	4	8	7
CON	T	8	ED	1	7	U	5	R

“ As  
 1 2 3 , 4 5  
 6 7 8 9 ”

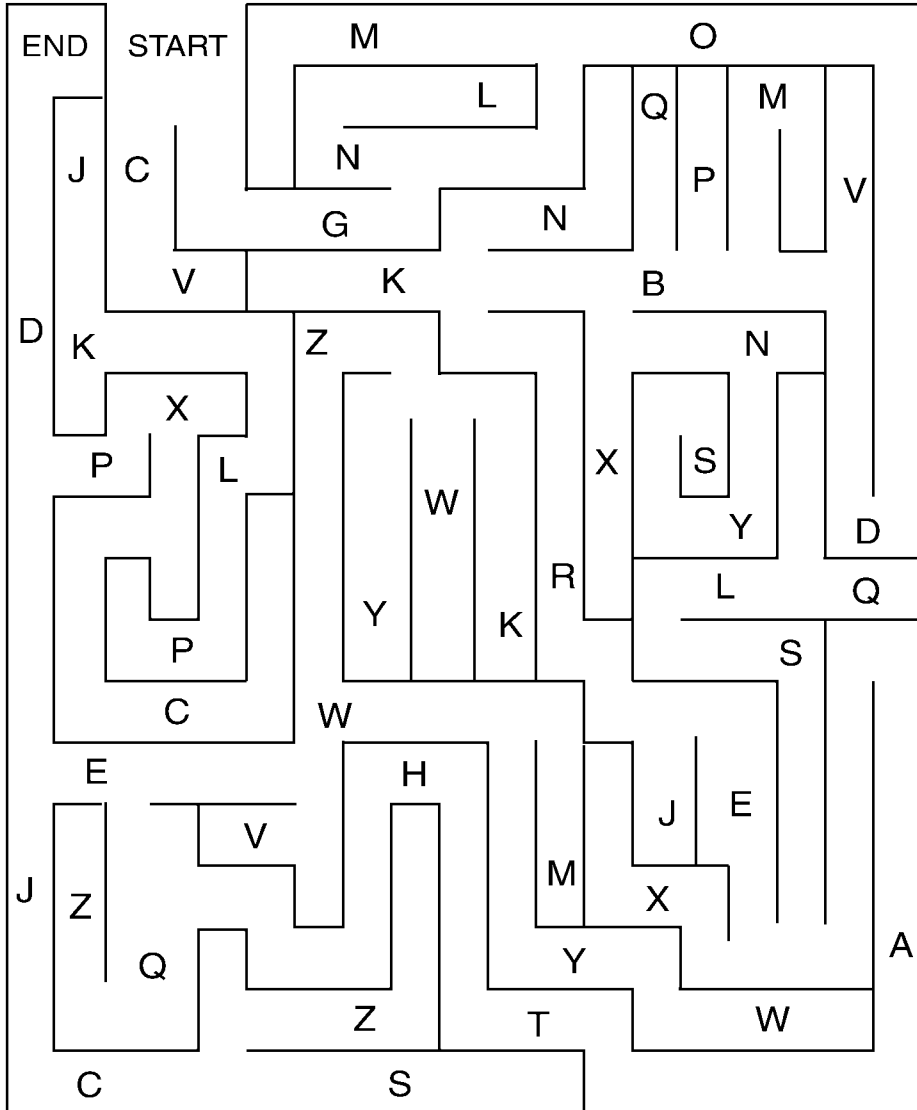


Belle Fourche & St Onge UCC  
 Yoked Parish  
 717 Jackson Street  
 Belle Fourche, SD 57717  
 ucc.bfso@gmail.com

Enter your **SECRET CODE** to unlock games @ [games.childrensbulletins.com](http://games.childrensbulletins.com) **SECRET CODE**  
**XPVM53**

What does this letter say about the Bible?

Find the correct path through the maze and write down the letters in the correct order to finish the quote.



"All Scripture is \_\_\_\_\_  
\_\_\_\_\_."

What else does this letter say  
the Bible is useful for?

In each row, cross out (in order) the letters of the word "TIMOTHY".  
The remaining letters will spell out a word.  
Transfer them to the lines below.

3. C O R T I R E M C O T T I H N Y G

5. T R I I M G H O T T E O U S H N E Y S S

1. T T I E M A O C T H H I Y N G

4. T T R A I I M N O I T N H G Y

2. R E T B I U K M I O N T G H Y

" \_\_\_\_\_ , \_\_\_\_\_ ,  
1 2  
\_\_\_\_\_ and \_\_\_\_\_  
3 4  
in \_\_\_\_\_ ."  
5